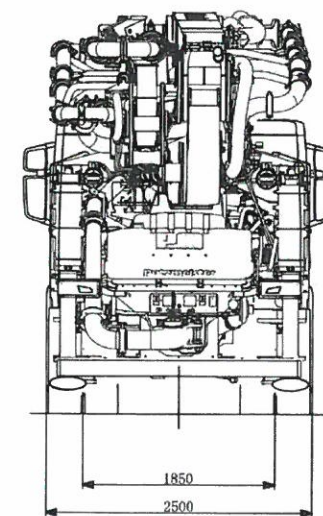
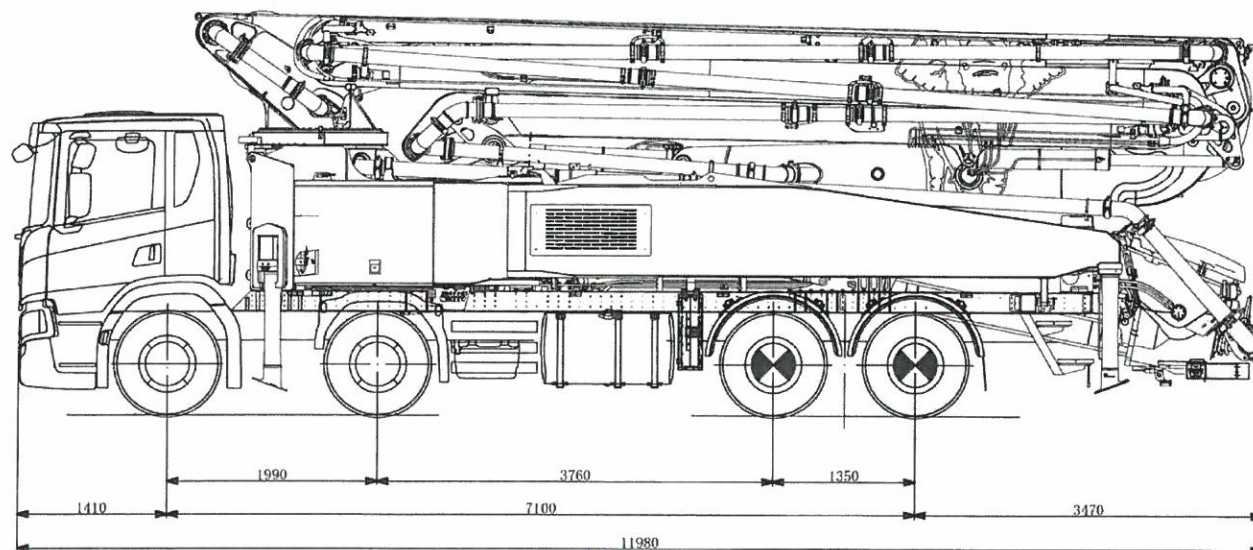
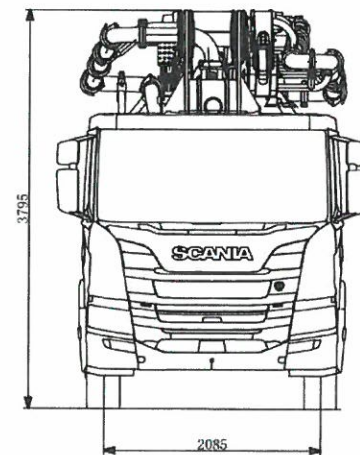
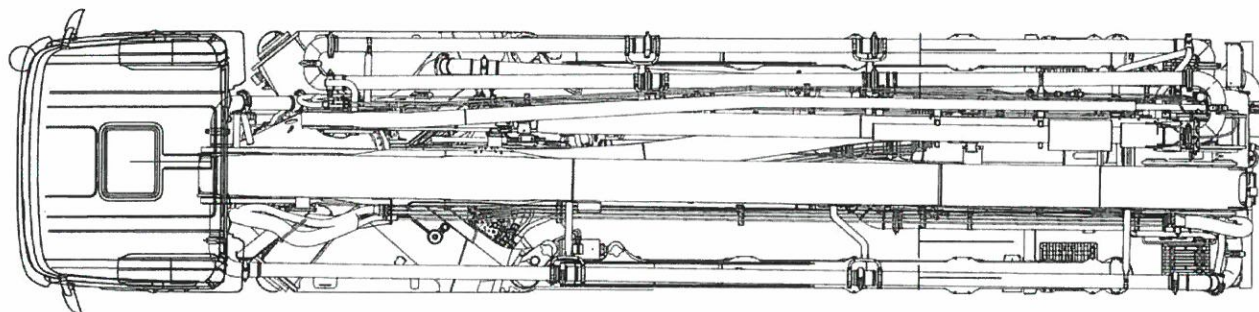


外観四面図 BSF46-5.16H コンクリートポンプ車
シャシ SCANIA 改



46-5 and 47-5

Placing boom 46-5

Folding type	5-arm Roll-Z fold system (RZ)
Vertical reach	45.5 m
Horiz. reach	40.5 m (gross)
Depth of reach	32.8 m
Unfolding height	11.1 m
End hose length	4 m
Delivery lines	DN 125
Slewing circle	365°

Placing boom 47-5

Folding type	5-arm Roll-Z fold system (RZ)
Vertical reach	46.1 m
Horiz. reach	41.1 m (gross)
Depth of reach	32.4 m
Unfolding height	11.1 m
End hose length	3 m (standard) 4 m (restricted)*
Delivery lines	DN 125
Slewing circle	365°

General

Support width	front / rear
Standard	9.5 m / 10.5 m
OSS	5.8 m / 6.9 m
ESC	5.8 m / 6.4 m
Overall length	11.9 m
Height	under 4.0 m

* e.g. without end hose squeeze valve and dual-section end without concrete brake



Equipment lines

To make it easier to select from the numerous configuration options, three equipment lines, as well as a few option packages, are available.

Standard line

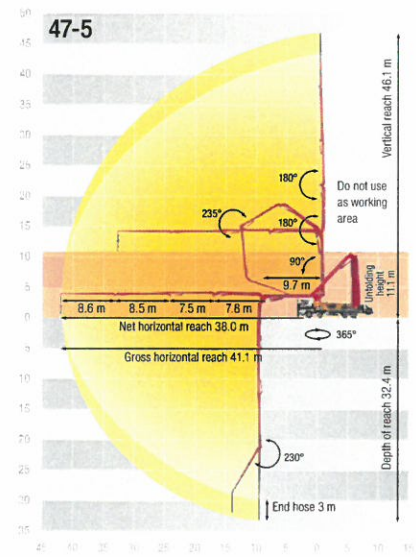
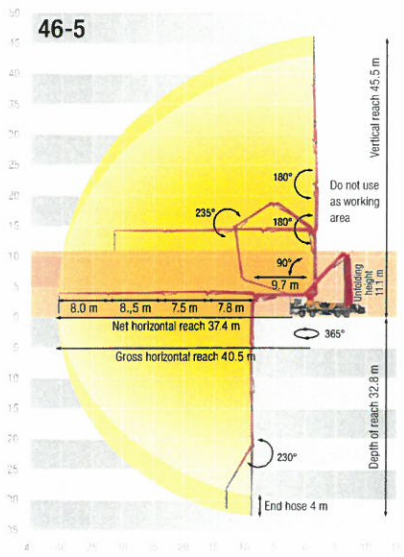
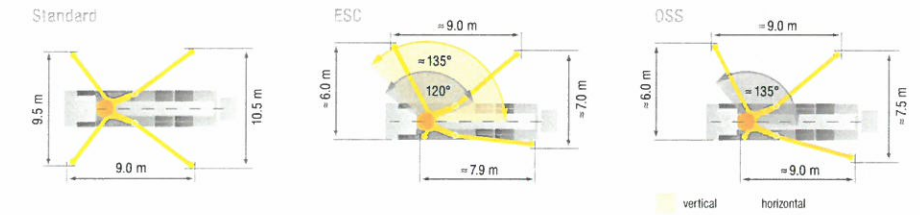
This equipment includes components which Putzmeister considers to be an economic standard for working efficiently and safely. Combined with the "German/EU road use approval" option package, the machine is ready for use throughout Europe.

High line

The high line provides easier operation, reduce maintenance costs and increased lighting comfort.

Exclusive line

This line represents the highest equipment level offered by Putzmeister. It includes selected premium components.



Added value for the same money

In addition to providing greater transparency and easier ordering, the option packages are cheaper than ordering individual options.

- **DE/EU road approval kit** includes all the necessary equipment for licensing the machine in the EU
- **Lighting kit** covers additional lighting to the scope of standard equipment
- **Technology kit** enables the automatic agitator function and the 3 optimized settings of the concrete pump for hose pumping applications or other uses
- **Operating kit 1 – EBC (Basis)** reduces the vibrations for smoother boom movement
- **Operating kit 2 – EBC PLUS** offers a wide range of comfort function for boom control
- **Cleaning kit** includes various components which make cleaning the machine easier
- **Camera kit 1 to 3** includes various camera systems, from the reversing camera to the 360° camera
- **Driver kit 1** includes e.g. additional diesel tank for increasing the reach
- **Further individual options** are also available